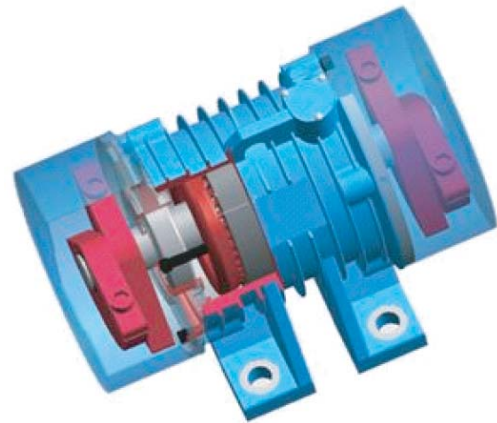
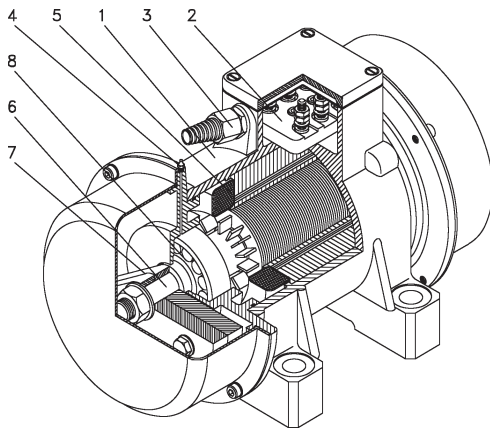


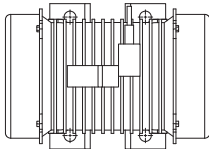
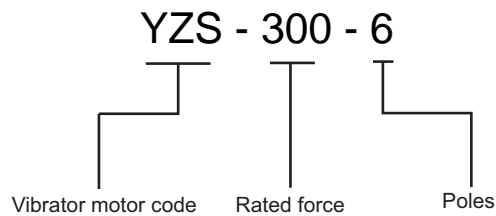
YZS Vibration Motor

GUANGZHOU HAOQING MOTOR CO.,LTD

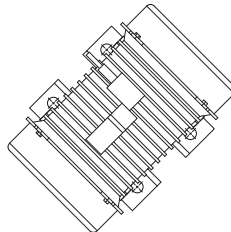


Item defination

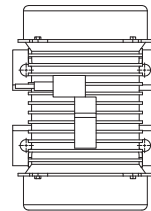
1	Vibrator body
2	Terminal box
3	Cable gland
4	Bearing-holder flange
5	Stator
6	Rotor shaft
7	Weights
8	Bearing



Horizontal Mounting



Any angle Mounting



Vertical Mounting

Characterristics

- Advanced robust light weigh design with little noise whilst producing efficient centrifugal force with a dequare electrical power.
- The entire sealing system enables to operate in Very dusty environments.
- The centrifugal force is easily and steplessly adjusted with adjusting the angle the angle of the eccentric weights.
- According to your requirement can work with multi- macjomesunder proper modes.
- Various specifications can meet different kinds of working Requirement of vibratory machines.
- Long service life, low repairing rates.

Application



Special vibration motors in the use of artificial quartz stone presses



Vertical vibrating motor in the vibration of grinding machine



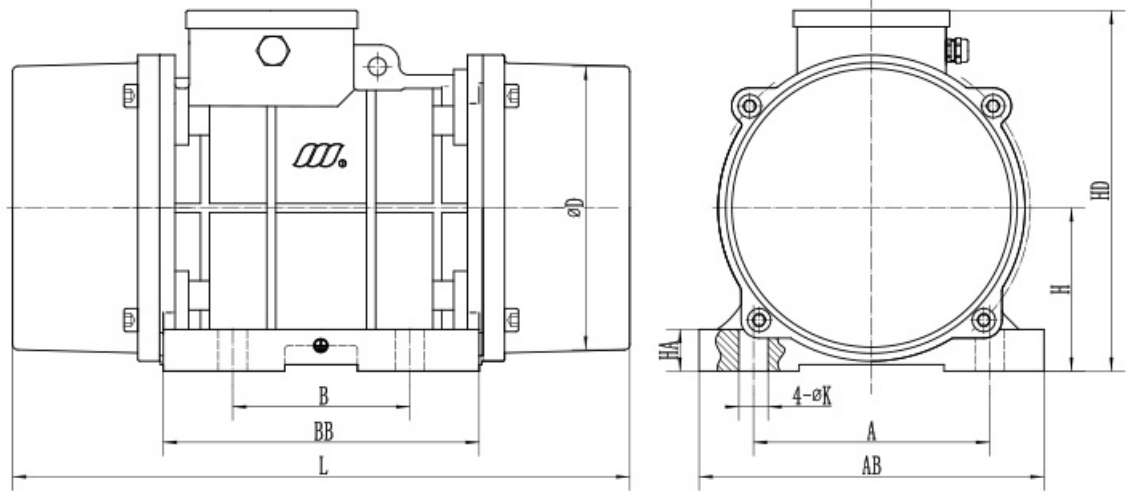


FIG1

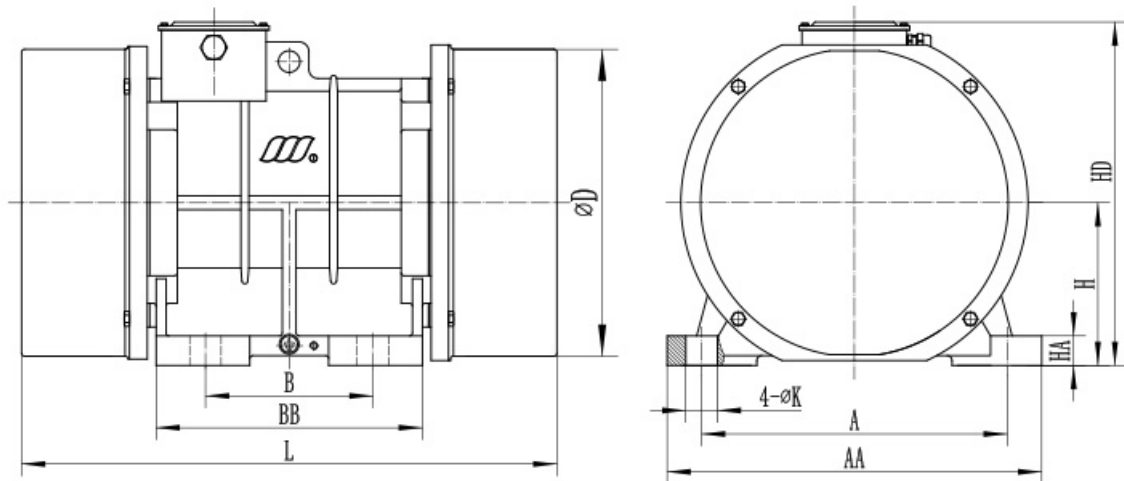


FIG2

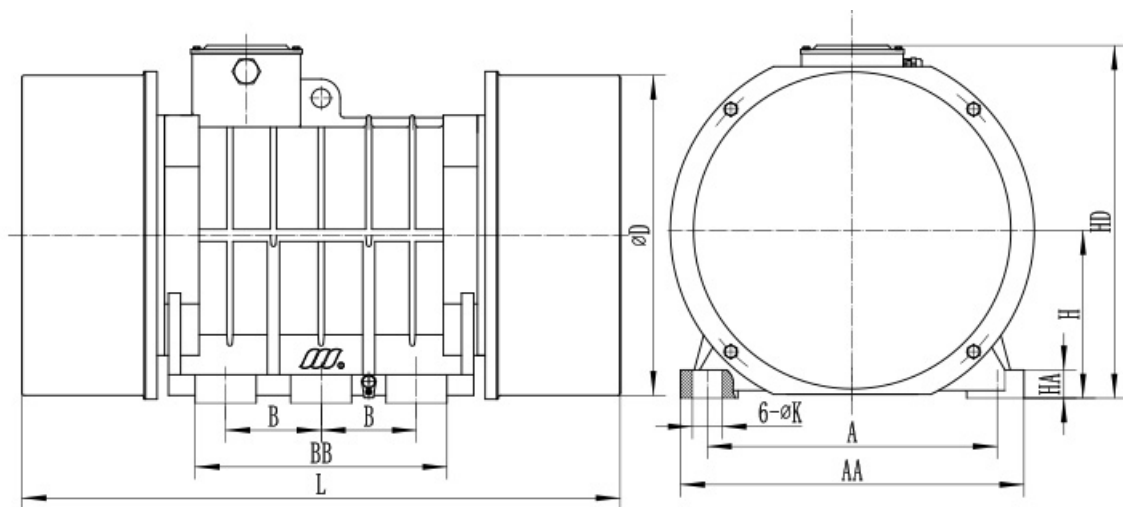


FIG3

Technical Data

型号	额定 激振力 (kN)	额定 功率 (kW)	电流 (A)	转速 (r/min)	外形安装尺寸 (mm)										安装螺栓 尺寸	重量	外形图
					A	B	H	AA	BB	HA	HD	L	D	K			
3相2极																	
YZS-1-2	1	0.09	0.45	2800	130	80	80	155	160	15	183	303	135	12	M10	9.2	FIG1
YZS-1.5-2	1.5	0.18	0.52	2768	130	80	80	155	160	15	183	303	135	12	M10	9.4	FIG1
YZS-2-2	2	0.18	0.52	2768	130	80	80	155	160	15	183	303	135	12	M10	9.6	FIG1
YZS-2.5-2	2.5	0.18	0.52	2768	130	80	80	155	160	15	183	303	135	12	M10	9.8	FIG1
YZS-3-2	3	0.25	0.71	2875	150	90	90	190	177	23	190	340	160	13	M12	14.7	FIG1
YZS-5-2	5	0.37	1.15	2874	150	90	90	190	177	23	190	340	160	13	M12	15.9	FIG1
YZS-6-2	6	0.45	1.07	2870	150	90	90	190	177	23	190	340	160	13	M12	17.4	FIG1
YZS-7-2	7	0.45	1.1	2868	150	90	90	190	177	23	190	340	160	13	M12	17.7	FIG1
YZS-8-2	8	0.55	1.39	2880	180	110	110	218	166	18	240	390	195	18	M16	31	FIG2
YZS-10-2	10	0.75	1.8	2878	180	110	110	218	166	18	240	390	195	18	M16	32	FIG2
YZS-15-2	15	1.1	2.59	2888	220	140	120	260	190	20	260	484	220	22	M20	48	FIG2
YZS-20-2	20	1.5	3.41	2904	260	150	140	310	230	25	293	522	259	26	M24	65	FIG2
YZS-25-2	25	2.2	4.85	2927	310	170	165	380	270	30	341	543	310	33	M30	90	FIG2
YZS-30-2	30	2.2	4.95	2925	310	170	165	380	270	30	341	543	310	33	M30	92	FIG2
YZS-40-2	40	3.7	7.87	2895	350	220	200	420	310	31	402	666	373	39	M36	157	FIG2
YZS-50-2	50	3.7	7.98	2894	350	220	200	420	310	31	402	666	373	39	M36	160	FIG2
3相4极																	
YZS-1-4	1	0.12	0.43	1319	130	80	80	155	160	15	183	303	135	12	M10	11.2	FIG1
YZS-1.5-4	1.5	0.12	0.43	1319	130	80	80	155	160	15	183	303	135	12	M10	11.3	FIG1
YZS-2-4	2	0.12	0.41	1341	130	80	80	155	160	15	183	303	135	12	M10	11.9	FIG1
YZS-2.5-4	2.5	0.18	0.63	1419	150	90	90	190	177	23	190	340	160	13	M12	17.5	FIG1
YZS-3-4	3	0.18	0.63	1419	150	90	90	190	177	23	190	340	160	13	M12	17.7	FIG1
YZS-4-4	4	0.25	0.72	1415	180	110	110	218	166	18	240	390	195	18	M16	35	FIG2
YZS-5-4	5	0.25	0.73	1414	180	110	110	218	166	18	240	390	195	18	M16	36	FIG2
YZS-6-4	6	0.37	1.03	1413	180	110	110	218	166	18	240	390	195	18	M16	36	FIG2
YZS-7-4	7	0.37	1.02	1415	220	140	120	260	190	20	260	444	220	22	M20	49	FIG2
YZS-8-4	8	0.37	1.03	1412	220	140	120	260	190	20	260	444	220	22	M20	49.8	FIG2
YZS-10-4	10	0.55	1.5	1442	220	140	120	260	190	20	260	444	220	22	M20	50.5	FIG2
YZS-15-4	15	0.75	2.1	1458	260	150	140	310	230	25	293	522	259	26	M24	69.5	FIG2
YZS-20-4	20	1.1	2.97	1458	260	150	140	310	230	25	293	522	259	26	M24	75	FIG2
YZS-25-4	25	1.5	3.89	1467	310	170	165	380	270	30	341	543	310	33	M30	99.5	FIG2
YZS-30-4	30	1.5	3.96	1463	310	170	165	380	270	30	341	543	310	33	M30	101	FIG2
YZS-40-4	40	2.2	5.4	1451	350	220	200	420	310	31	402	666	373	39	M36	171	FIG2
YZS-50-4	50	2.2	5.47	1448	350	220	200	420	310	31	402	666	373	39	M36	173.5	FIG2
YZS-60-4	60	3.7	9.39	1467	380	125	220	450	370	37	435	712	419	39	M36	252	FIG3
YZS-75-4	75	3.7	9.46	1466	380	125	220	450	370	37	435	712	419	39	M36	255	FIG3
YZS-100-4	100	6.3	14.4	1475	440	140	240	530	396	40	472	865	453	45	M42	365	FIG3

Technical Data

3相6极																	
YZS-3-6	3	0.58	0.58	933	180	110	110	218	166	18	240	410	195	18	M16	40	FIG2
YZS-5-6	5	0.37	1.32	945	220	140	120	260	190	20	260	484	220	22	M20	52.5	FIG2
YZS-8-6	8	0.75	2.4	961	260	150	140	310	230	25	293	522	259	26	M24	75	FIG2
YZS-10-6	10	0.75	2.42	960	260	150	140	310	230	25	293	522	259	26	M24	76	FIG2
YZS-15-6	15	1.1	3.41	976	310	170	165	380	270	30	341	543	310	33	M30	105	FIG2
YZS-20-6	20	1.5	4.18	972	310	170	165	380	270	30	341	543	310	33	M30	115	FIG2
YZS-25-6B	25	2.2	5.69	961	310	170	165	380	270	30	341	543	310	33	M30	119.5	FIG2
YZS-30-6B	30	2.2	5.72	960	310	170	165	380	270	30	341	583	310	33	M30	121	FIG2
YZS-25-6	25	2.2	5.71	965	350	220	200	420	310	31	402	666	373	39	M36	180	FIG2
YZS-30-6	30	2.2	5.74	964	350	220	200	420	310	31	402	666	373	39	M36	182	FIG2
YZS-40-6B	40	3	7.9	967	350	220	200	420	310	31	402	666	373	39	M36	203	FIG2
YZS-50-6B	50	3.7	9.42	965	350	220	200	420	310	31	402	666	373	39	M36	221	FIG2
YZS-40-6	40	3	9.38	970	380	125	220	450	370	37	435	712	419	39	M36	270	FIG3
YZS-50-6	50	3.7	9.45	969	380	125	220	450	370	37	435	712	419	39	M36	278	FIG3
YZS-75-6B	75	5.5	13.9	971	380	125	220	450	370	37	435	712	419	39	M36	328	FIG3
YZS-75-6	75	5.5	13.2	985	440	140	240	530	396	40	472	865	453	45	M42	380	FIG3
YZS-100-6	100	7.5	17.8	986	440	140	240	530	396	40	472	865	453	45	M42	410	FIG3
YZS-120-6	120	9.5	21.7	986	440	140	240	530	396	40	472	865	453	45	M42	447	FIG3
YZS-140-6	135	11	29.7	986	440	140	240	530	396	40	472	865	453	45	M42	475	FIG3
3相8极																	
YZS-5-8	5	0.37	1.36	704	260	150	140	310	230	25	293	522	259	26	M24	75	FIG2
YZS-10-8	10	0.75	2.44	717	310	170	165	380	270	30	341	543	310	33	M30	109	FIG2
YZS-20-8	20	1.5	4.88	718	350	220	200	420	310	31	402	666	373	39	M36	168	FIG2
YZS-30-8	30	2.2	3.97	728	380	125	220	450	370	37	435	712	419	39	M36	238	FIG3
YZS-50-8	50	3.7	11.3	734	440	140	240	530	396	40	472	865	453	45	M42	336	FIG3

GUANGZHOU HAOQING MOTOR CO.,LTD

E-mail: sherry@gzhqmotor.com

Website: <http://www.gzhqmotor.com>